

# CELLSCALE®<sub>9000</sub>

CELLULAR WEIGHING FROM MSI

## MSI-6260CS Trans-Weigh • RF Digital Crane Scale Product Specifications

*A stellar solution for industrial weighing and process control*

### Product Description

The MSI-6260CS RF crane scale provides wireless weighing solutions for overhead crane applications. Incorporating CellScale technology, the MSI-6260CS is a key component for use in Cellular Weighing and Networking.

Single or multiple crane scales can be controlled and monitored from single or multiple locations. Wireless transmission of real time weight and product information can be networked and communicated to all CellScale accessory products, including the MSI-3750CS indicator, MSI-9020 RF CellModem and MSI-9750A RF portable indicator.

The MSI-6260CS is available in a standard range of capacities up to 50 tons. Larger and special order designs are also available up to 250 tons. A host of standard scale features and options are available. See also specifications sheets for MSI-3750CS, MSI-9020 and MSI-9750A for complete capabilities and

possible crane weighing system configurations.

### Specifications

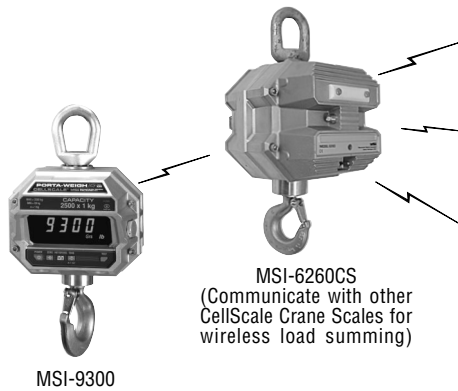
- Accuracy: Plus or minus 0.1% applied load.
- Operating Frequency: Frequency Hopping Spread Spectrum @ 2.4 GHz provides 32 collocated networks of scales and peripheral devices. Radio functions in the ISM band, license free in the USA and Europe. 10mW (low power) or 100mW (high power).
- Operating Range: Typically 150m (500') indoors, 300m (1000') outdoors.
- Operating Temperature Range: -20° C to +70° C (-4° F to + 158° F).
- Power: 12 volt rechargeable battery (Includes 115-230 VAC, 50/60 Hz universal battery charger)
- Operating Time: 40 hours between charging
- Enclosure: NEMA 4, IP66

- RFI/EMI Shielding: Exceeds NIST HB44 and CE standards
- Safe Overload: 200% of rated capacity
- Ultimate Overload: 500% of rated capacity (except as noted)
- Hook: Crosby or equivalent swivel bearing
- Top Lifting Eye and/or Shackle: Crosby or equivalent
- Comm Port programmable for RS-232 or RS-422

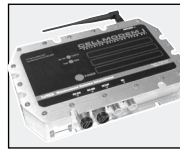
### Options

- Substitute shackle for bottom swivel hook
- Oversized top and/or bottom shackle
- Oversized bottom swivel hook
- Low headroom adapter
- Anti-Heat Shielding for high temperature (mill and foundry) applications
- Direct AC or DC power input

### MSI-6260CS in a CellScale Network



**MSI-9300/MSI-3750CS** system configuration provides CellScale's rich feature set to any crane scale application. Monitor and control up to 32 independent crane scales from single or multiple locations. (See separate specification sheet for MSI-3750CS RF Digital Weight Indicator).

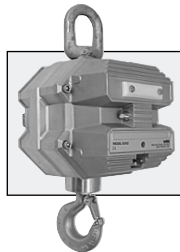
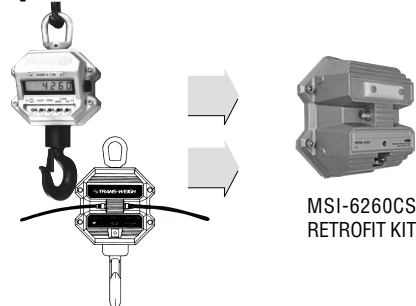


**MSI-9300/MSI-9020 CellModem** system configuration provides wireless CellScale link with peripheral serial devices including computers, scoreboards, printers and PLC's. (See separate specification sheet for MSI-9020RF CellModem).



**MSI-9300/MSI-9750A** system configuration provides CellScale's rich feature set through a portable and wireless digital indicator. Supports multiple channel display on individual networks (up to 8 simultaneously), data logging, bar code scanner interface and inter-network radio messaging. (See separate specification sheet for MSI-9750A RF Remote Indicator).

### Optional MSI-6260CS Retrofit Kit



**MSI-6260CS RETROFIT KIT** integrates CellScale technology with existing MSI-4260 Port-A-Weigh and MSI-6260 Trans-Weigh crane scales. The retrofit kit replaces the existing front casting and electronics section of both models MSI-4260 and MSI-6260. After conversion, the new MSI-6260CS adapts easily into any CellScale network.

## MSI-6260CS – Specifications and Dimensions

For self-contained, direct display and heavy duty requirements, see MSI-4260 Port-A-Weigh, MSI-4300 Porta-Weigh Plus and MSI-9300 Porta-Weigh Plus specification sheets.

For light duty requirements, see MSI-3360 Challenger 2 specification sheet.

Contact factory for higher capacities

CR = Crosby or equivalent

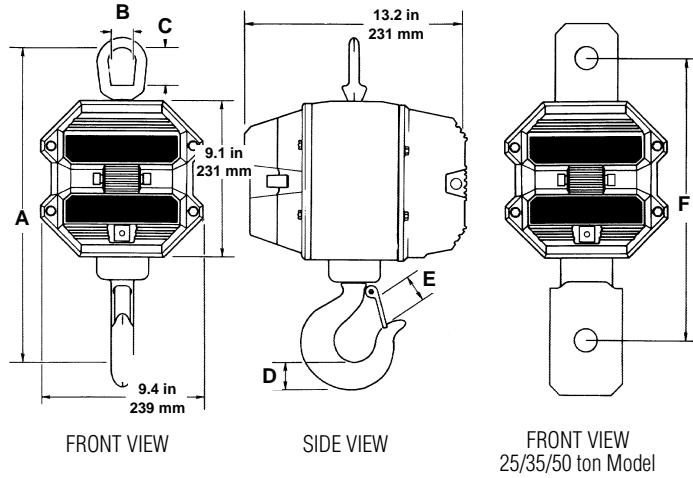
\* These dimensions also apply to 25/35/50 ton units with hook and shackle

\*\* Resolution subject to change for type approved units

\*\*\* Ultimate overload: 490% of kg capacity

\*\*\*\* Ultimate overload: 475% of lb capacity / 430% of kg capacity

\*\*\*\*\* Ultimate overload: 450% of kg capacity



CAPACITY	RESOLUTION**	A*	B*	C*	D*	E*	F	HOOK	EYE NUT OR SHACKLE	APPROX. SHIP WT.
500 lb	0.2 lb	18.3 in	2.25	3.06	1.44	1.41	–	5 ton alloy	CR # 7	53 lb
250 kg	0.1 kg	465 mm	57.1	77.7	37.0	36.0	–	swivel	eye nut	24 kg
2,000 lb	1 lb	18.3 in	2.25	3.06	1.44	1.41	–	5 ton alloy	CR # 7	53 lb
1,000 kg	0.5 kg	465 mm	57.1	77.7	37.0	36.0	–	swivel	eye nut	24 kg
5,000 lb	1 lb	20.5 in	2.50	3.50	1.81	1.69	–	7 ton alloy	CR # 8	62 lb
2,500 kg	0.5 kg	521 mm	64.0	89.0	46.0	42.9	–	swivel	eye nut	28 kg
10,000 lb	2 lb	20.5 in	2.50	3.50	1.81	1.69	–	7 ton alloy	CR # 8	62 lb
5,000 kg	1 kg	521 mm	64.0	89.0	46.0	42.9	–	swivel	eye nut	28 kg
20,000 lb	5 lb	28.5 in	4.00	6.25	2.62	2.41	–	15 ton alloy	CR # 11	105 lb
10,000 kg	2 kg	724 mm	101.6	159	66.5	61.2	–	swivel	eye nut	47 kg
30,000 lb	10 lb	30.0 in	4.00	6.25	3.00	3.19	–	22 ton alloy	CR # 11	125 lb
15,000 kg	5 kg	762 mm	101.6	159	76.2	81.0	–	swivel	eye nut	55 kg
50,000 lb	10 lb	41.0 in	5.00	6.00	3.62	3.63	15.0	30 ton alloy	CR 25 ton	235 lb
25,000 kg	5 kg	1041 mm	127	152	92.0	92.0	381	swivel***	shackle # 2130	106 kg
70,000 lb	20 lb	43.2 in	5.00	6.00	4.56	3.75	15.0	37 ton alloy	CR 40 ton	270 lb
35,000 kg	10 kg	1097 mm	127	152	116	95.0	381	swivel****	shackle # 2140	121 kg
100,000 lb	20 lb	52.1 in	5.75	6.65	5.06	4.25	16.25	CR 45 ton	CR 55 ton	420 lb
50,000 kg	10 kg	1324 mm	146	169	129	108	413	S1 swivel*****	shackle # 2140	189 kg

CONSULT FACTORY FOR HIGHER CAPACITIES — See MSI-9300HT Specification Sheet for applications that require powered rotation of lifted material.



Specifications subject to change without notice.

PUB.262-04-00E Printed in U.S.A.

© 2004 by Measurement Systems International, Inc.

CellScale® is a registered trademark of Measurement Systems International, Inc.

*"We weigh quality first"*

**Measurement Systems International**

14240 Interurban Avenue South STE.200

Seattle, Washington 98168-4661 U.S.A.

Phone: 206-433-0199 • Fax: 206-244-8470

Web: www.msiscscales.com • Email: info@msiscscales.com